

CHRISTMAS

Nativity DIY Advent Calendar

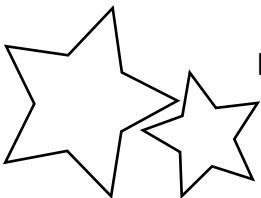


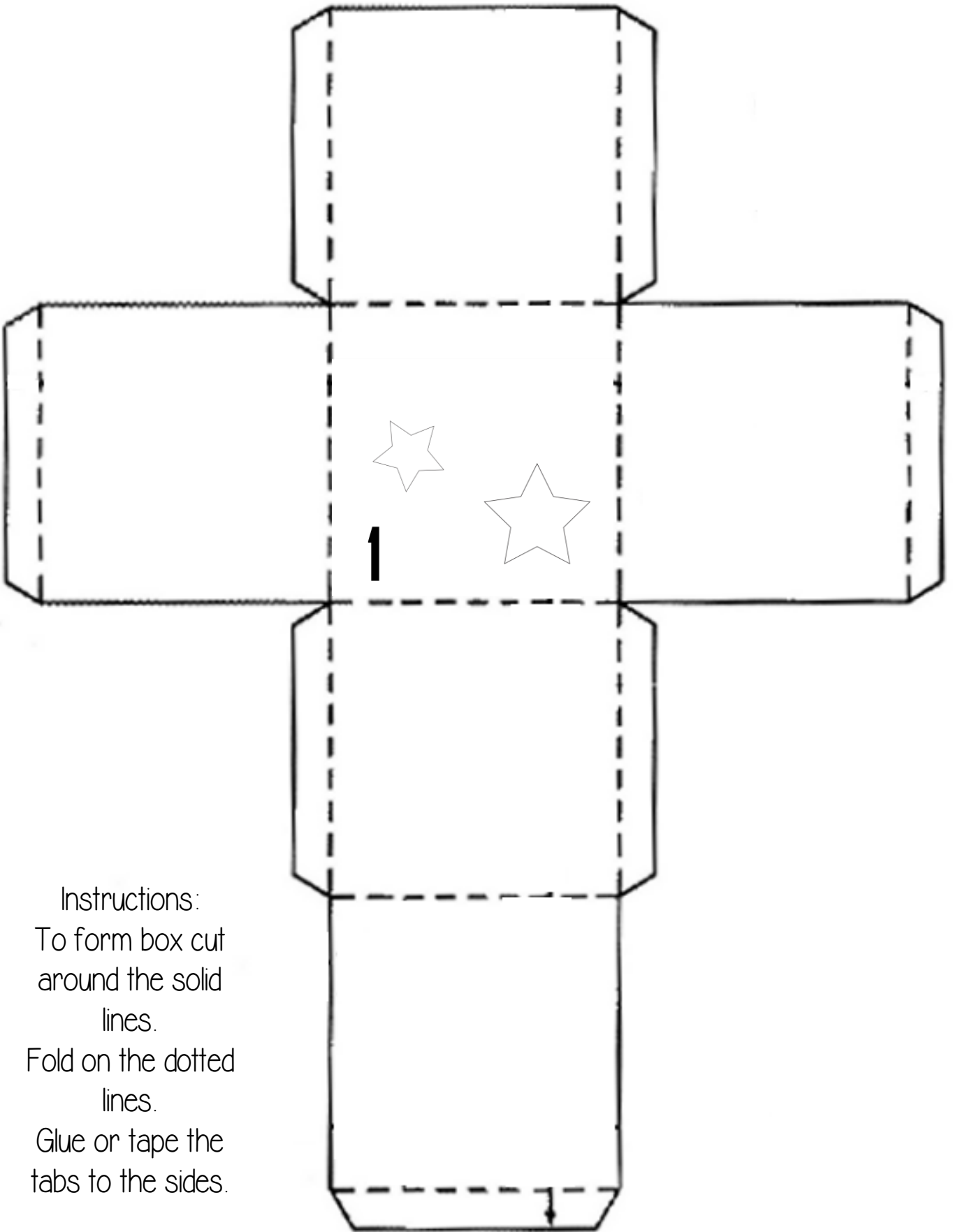
Thank you for downloading this free activity!

**FOR QUESTIONS, CORRECTIONS, OR COMMENTS PLEASE EMAIL:
MINIATUREMASTERMINDS@GMAIL.COM**

miniature
MASTERMINDS

miniaturemasterminds.com



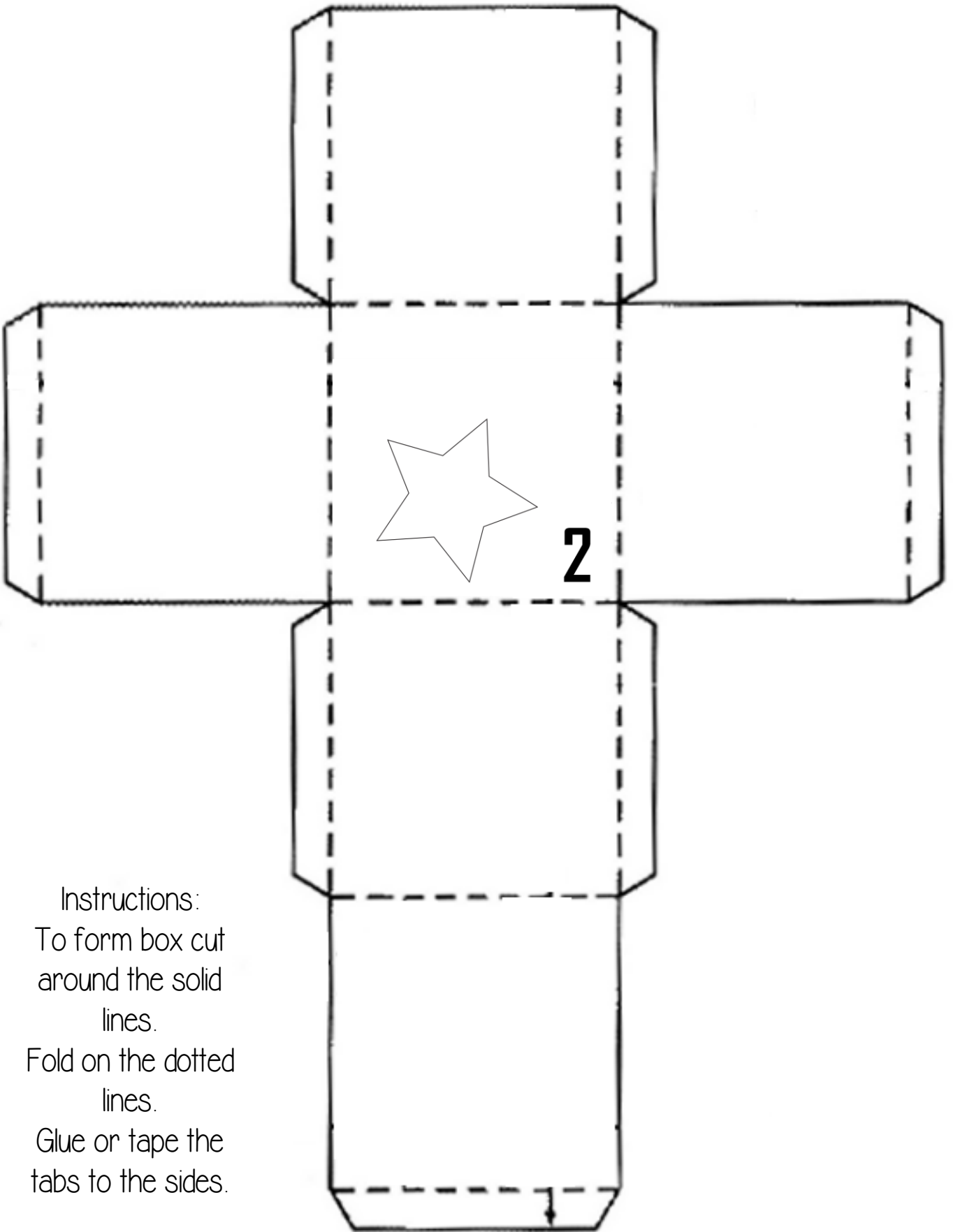


Instructions:

To form box cut
around the solid
lines.

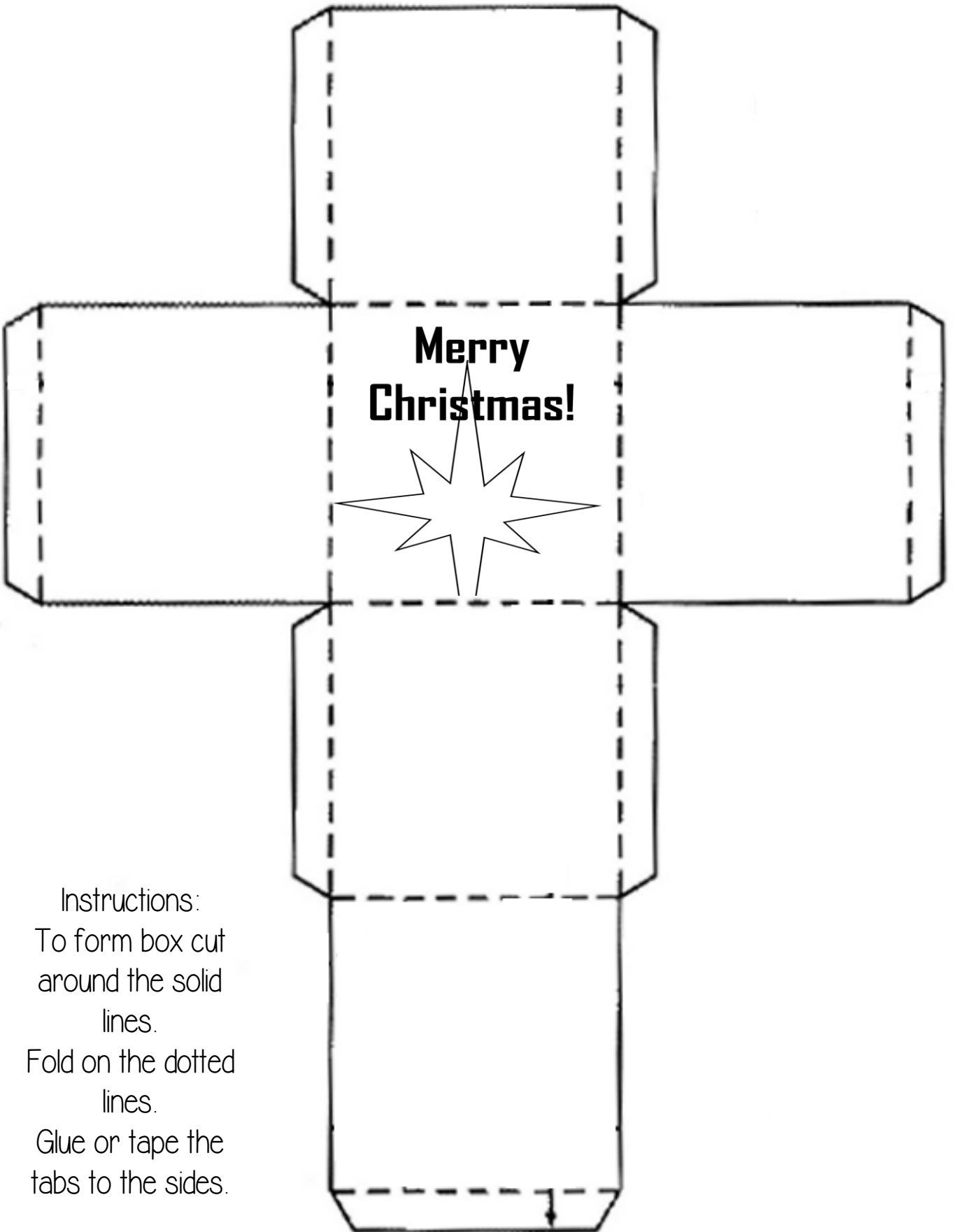
Fold on the dotted
lines.

Glue or tape the
tabs to the sides.



2

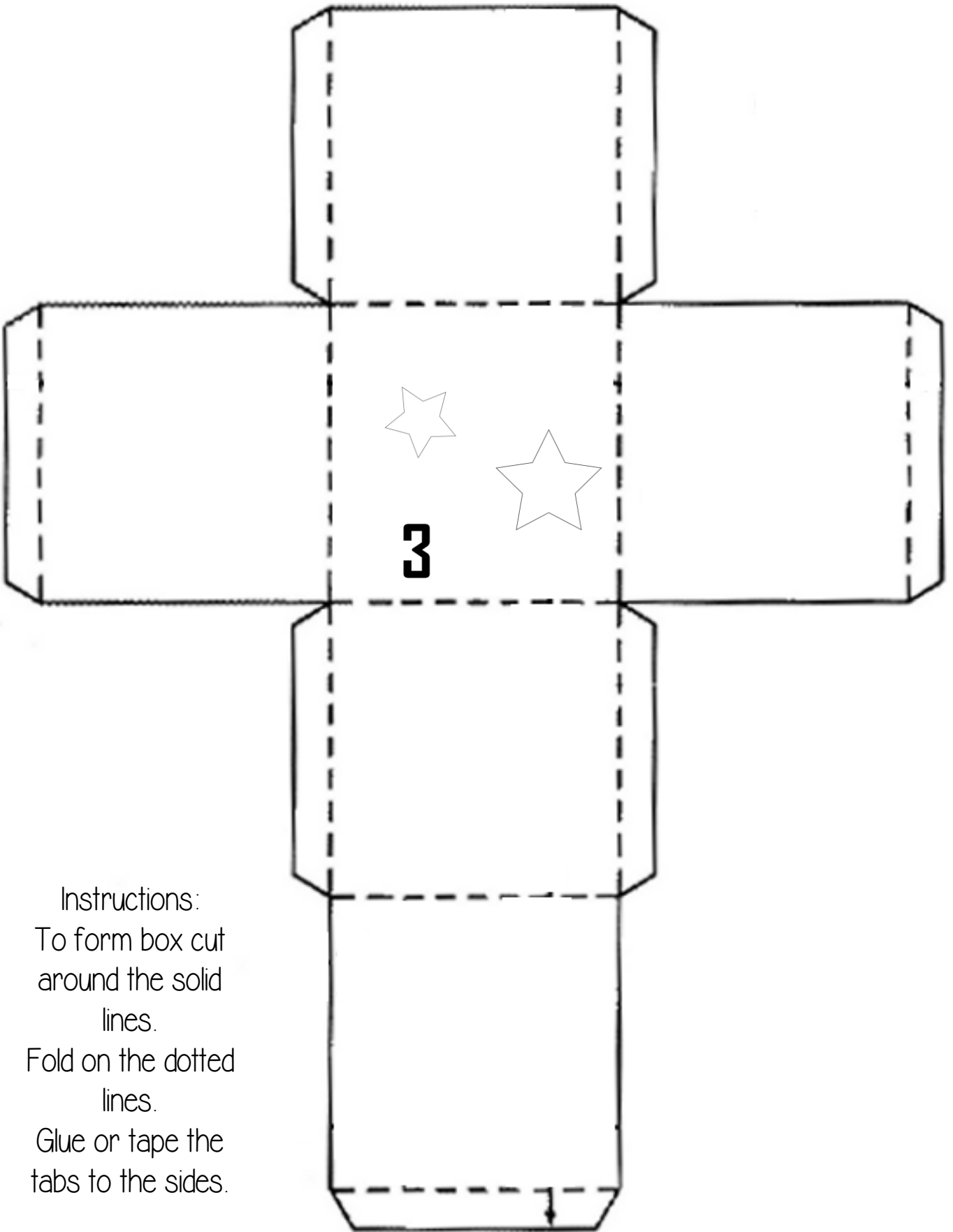
Instructions:
To form box cut
around the solid
lines.
Fold on the dotted
lines.
Glue or tape the
tabs to the sides.



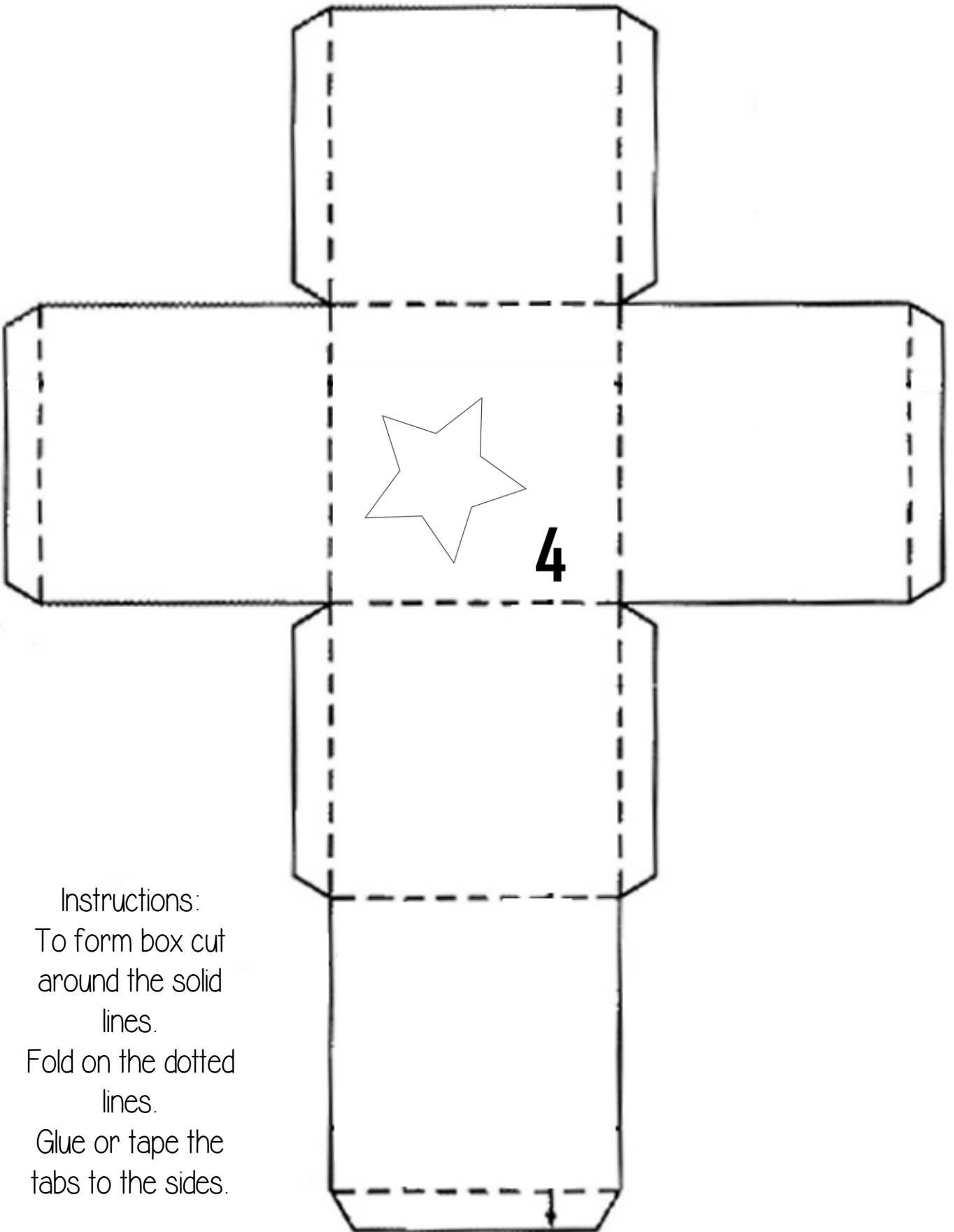
**Merry
Christmas!**



Instructions:
To form box cut
around the solid
lines.
Fold on the dotted
lines.
Glue or tape the
tabs to the sides.

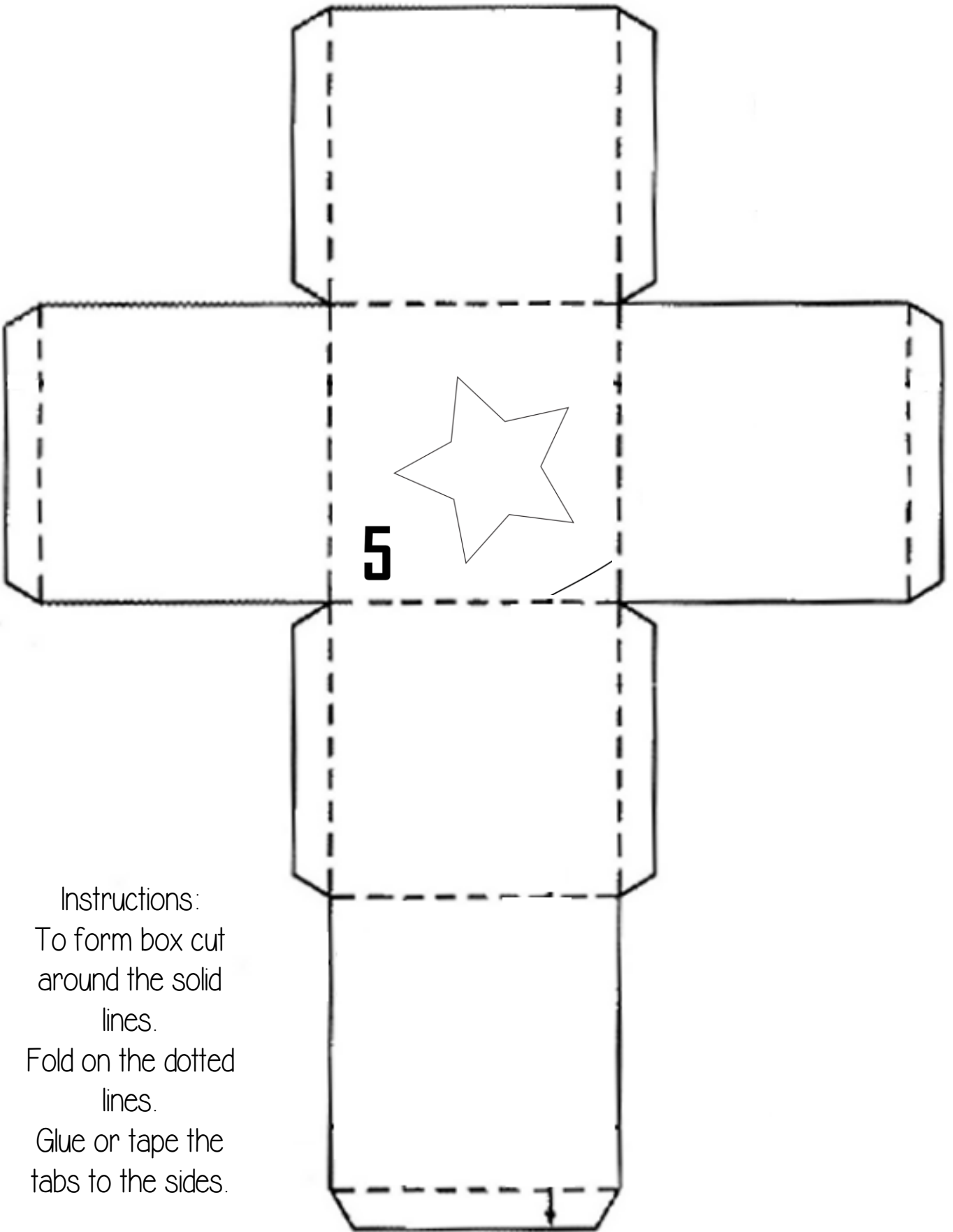


Instructions:
To form box cut
around the solid
lines.
Fold on the dotted
lines.
Glue or tape the
tabs to the sides.



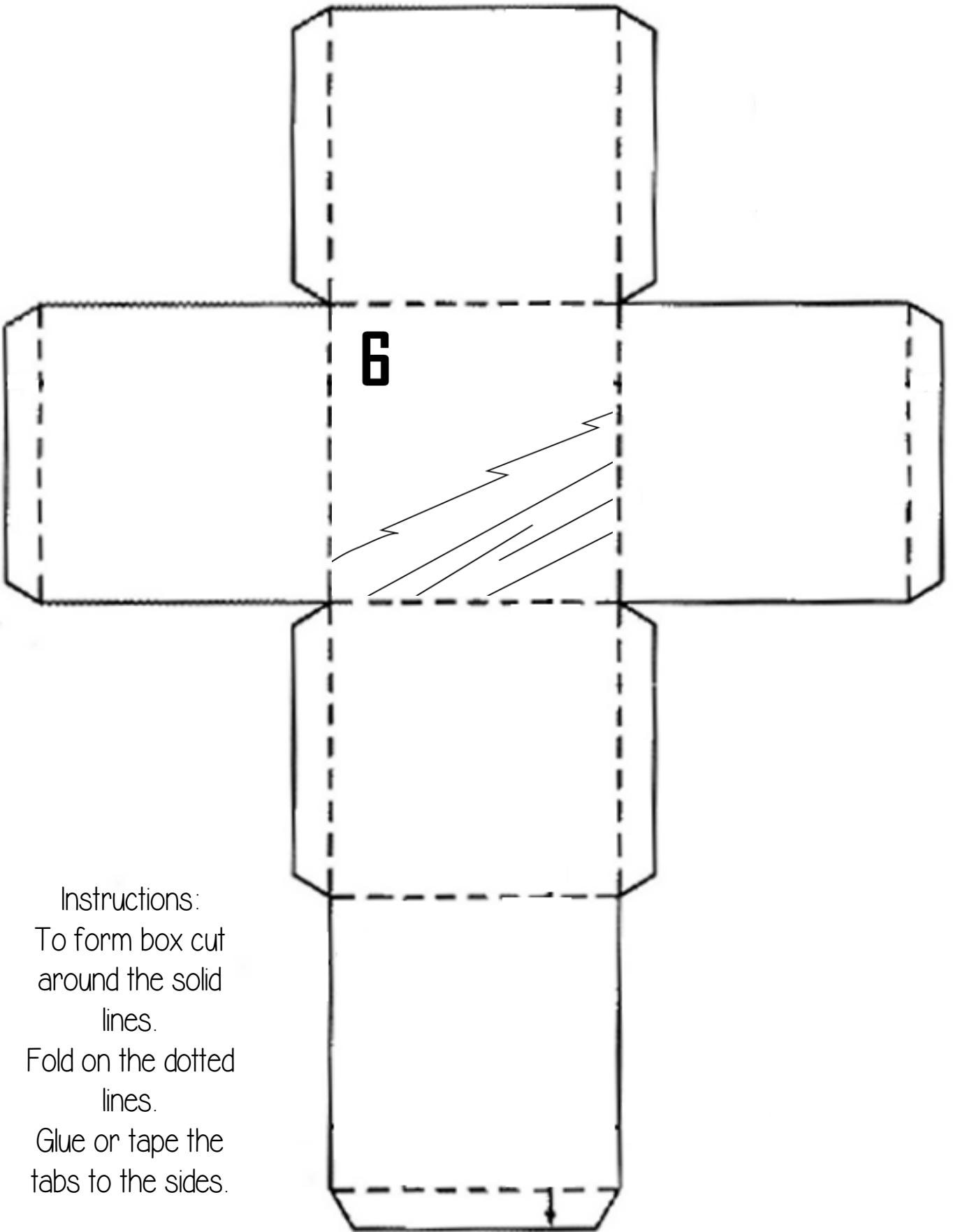
4

Instructions:
To form box cut
around the solid
lines.
Fold on the dotted
lines.
Glue or tape the
tabs to the sides.



5

Instructions:
To form box cut
around the solid
lines.
Fold on the dotted
lines.
Glue or tape the
tabs to the sides.



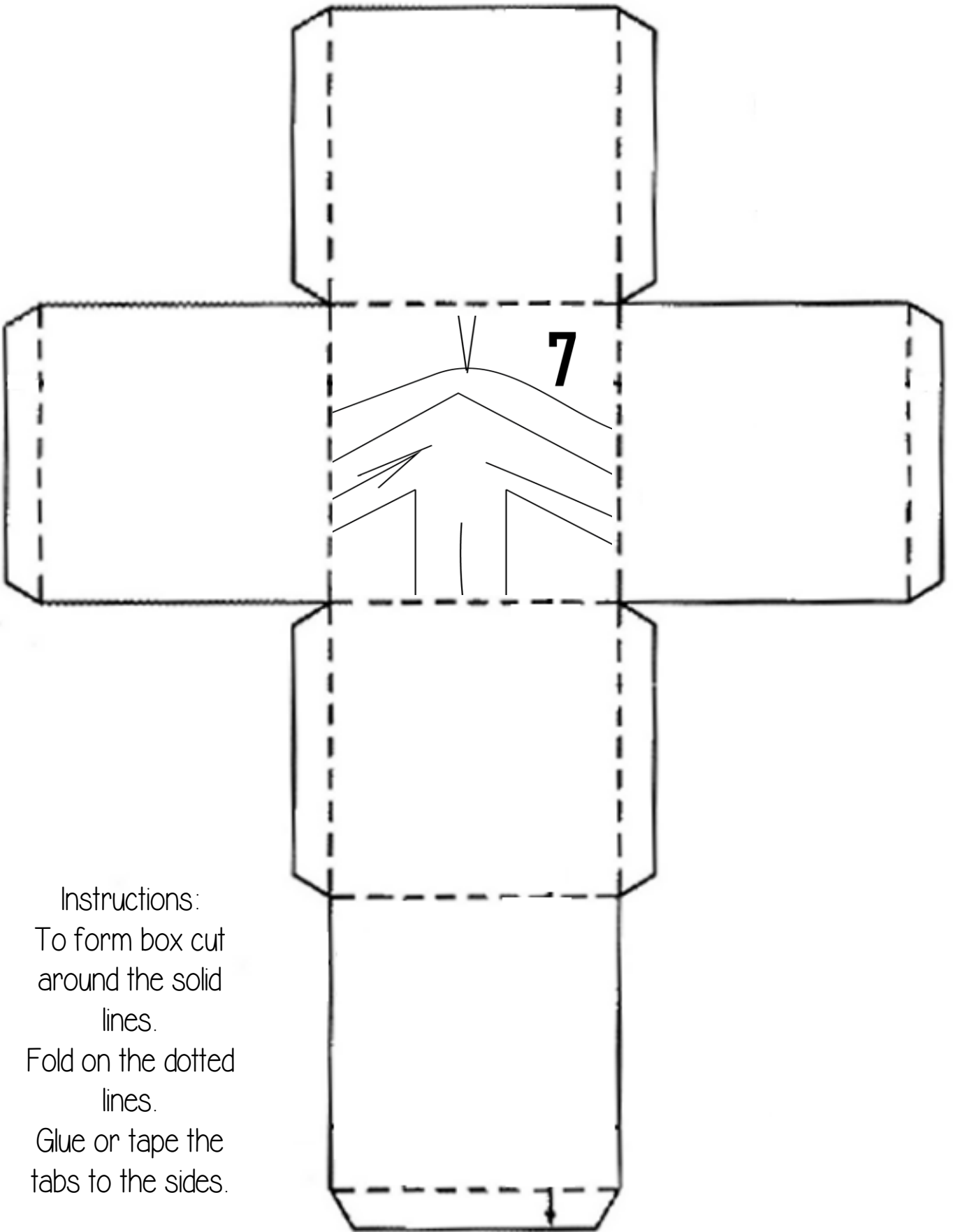
6

Instructions:

To form box cut
around the solid
lines.

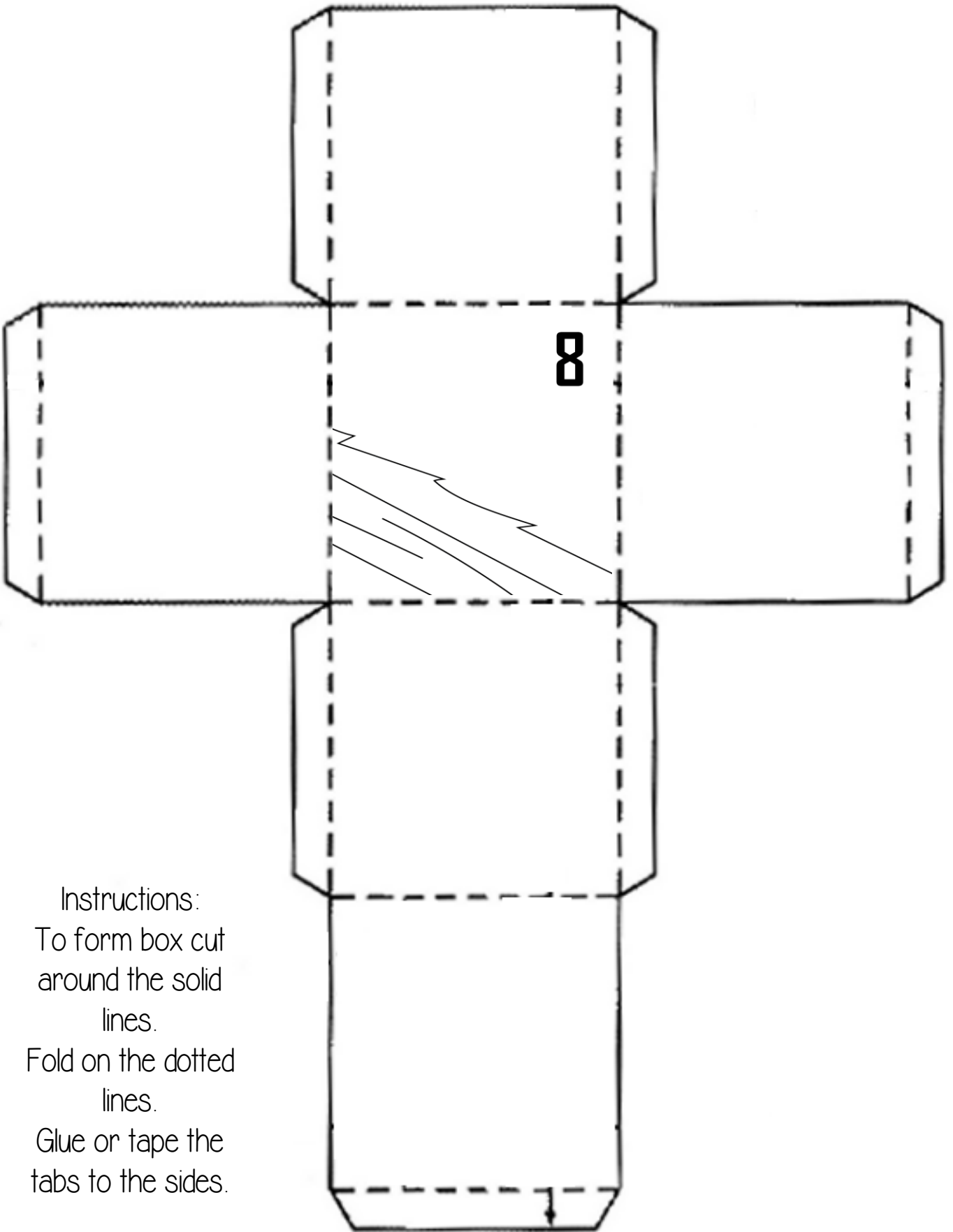
Fold on the dotted
lines.

Glue or tape the
tabs to the sides.



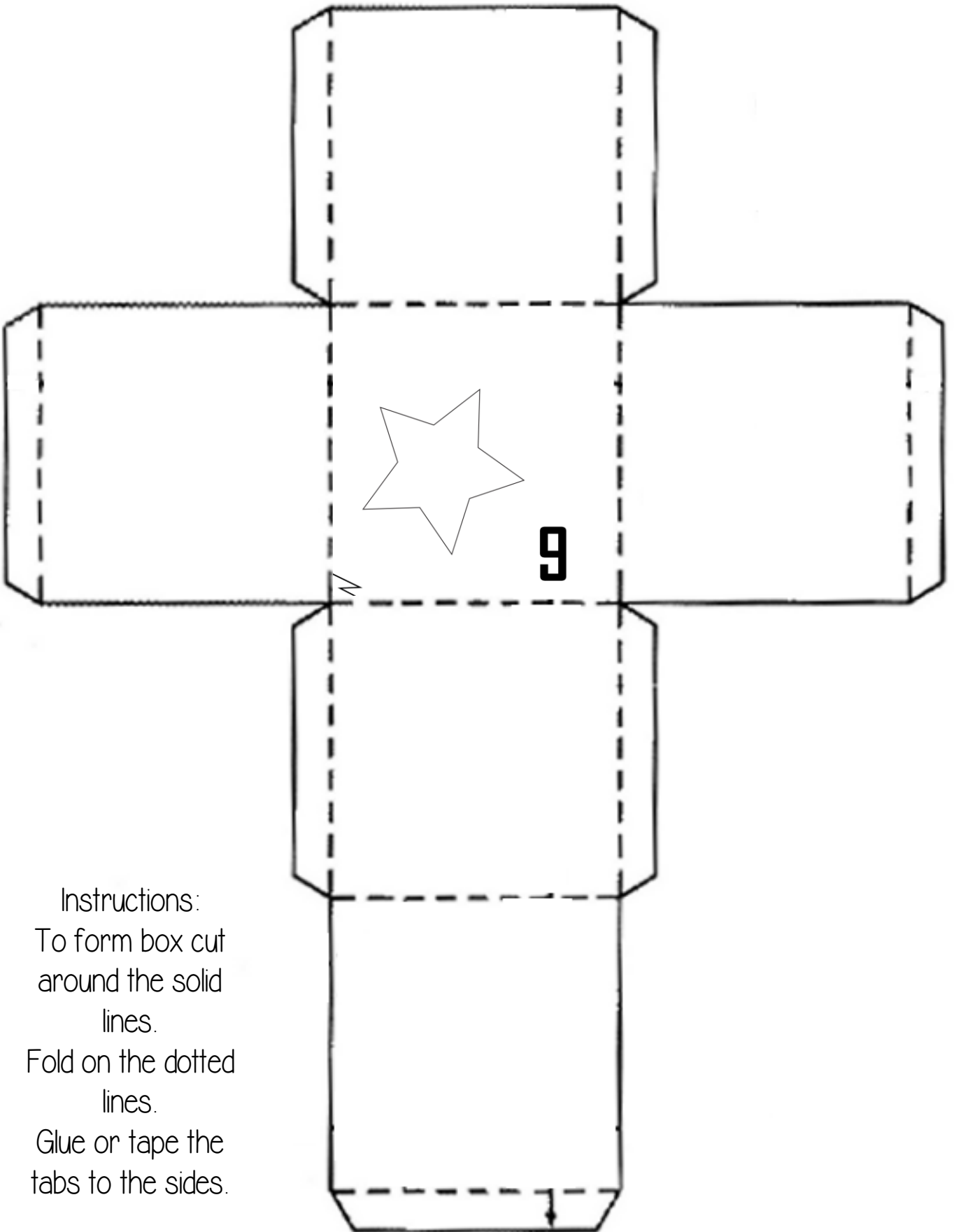
7

Instructions:
To form box cut
around the solid
lines.
Fold on the dotted
lines.
Glue or tape the
tabs to the sides.

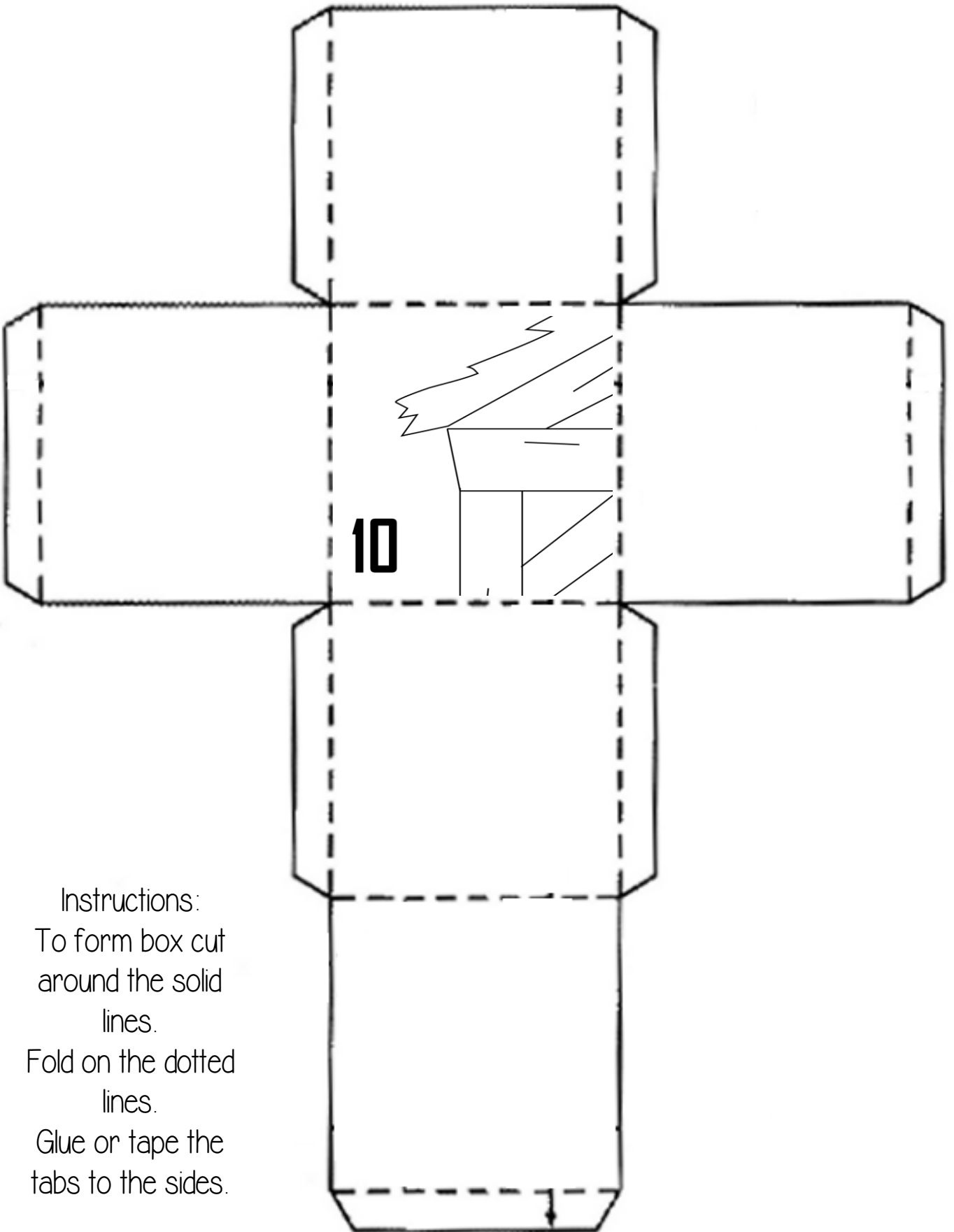


8

Instructions:
To form box cut
around the solid
lines.
Fold on the dotted
lines.
Glue or tape the
tabs to the sides.

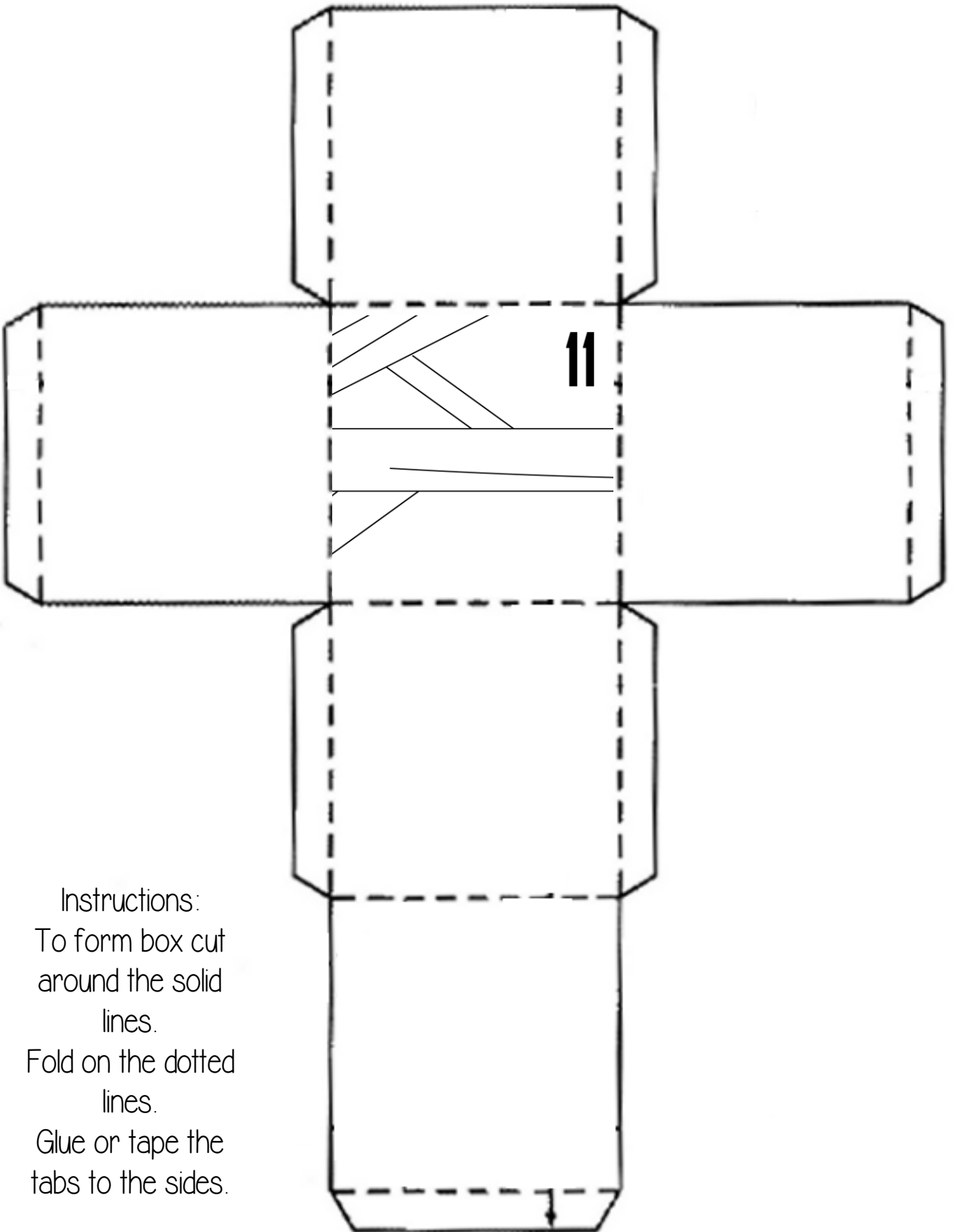


Instructions:
To form box cut
around the solid
lines.
Fold on the dotted
lines.
Glue or tape the
tabs to the sides.



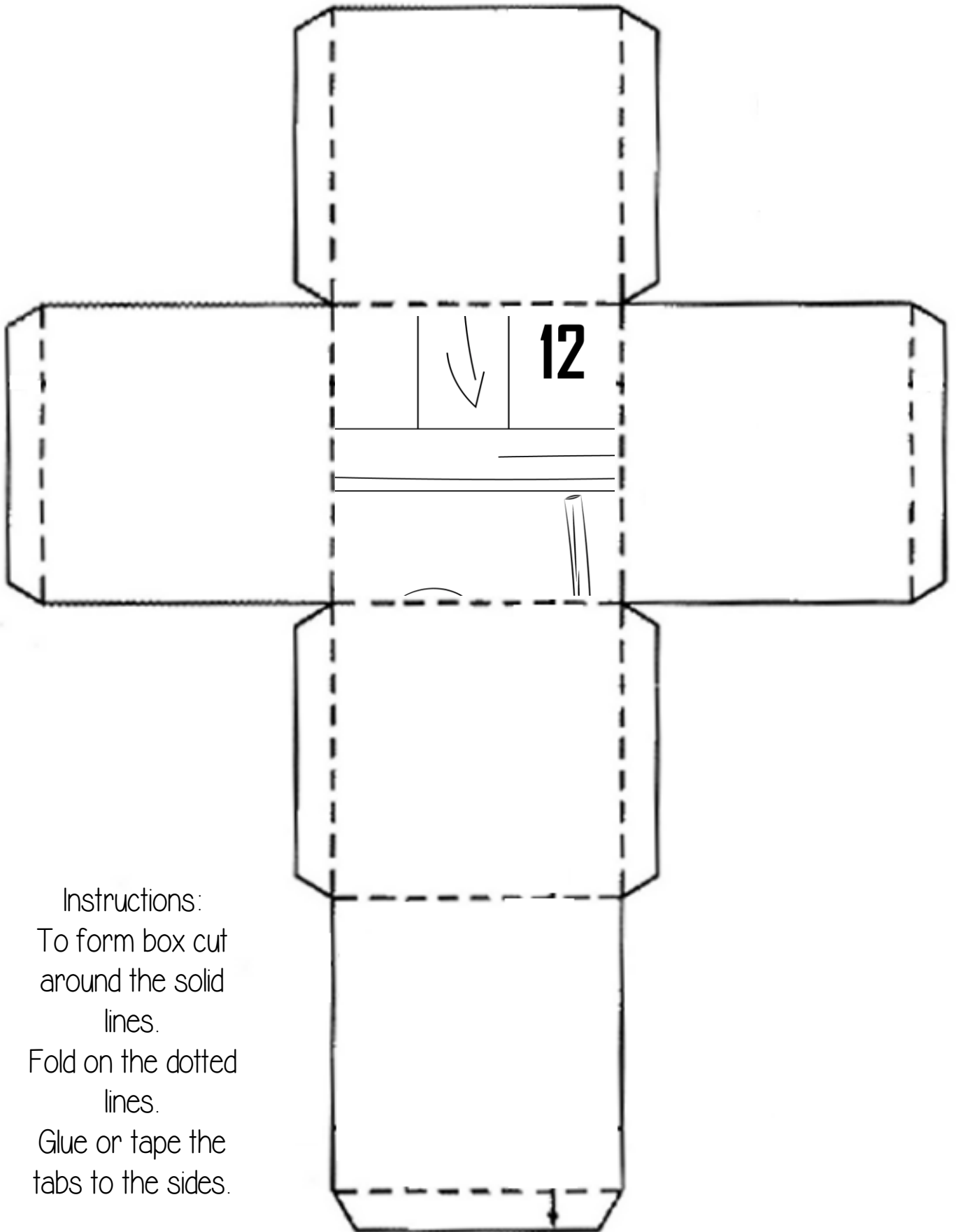
10

Instructions:
To form box cut
around the solid
lines.
Fold on the dotted
lines.
Glue or tape the
tabs to the sides.

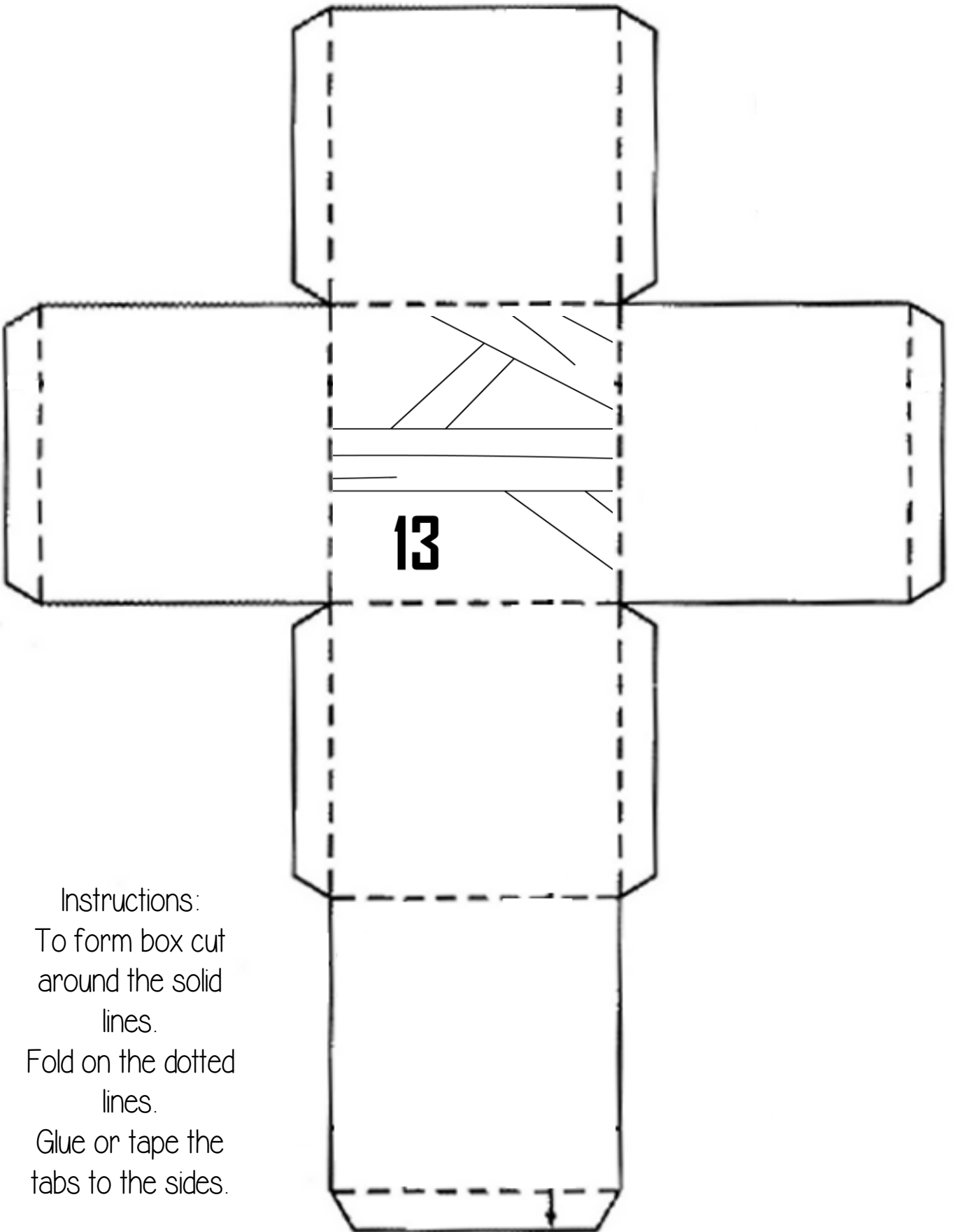


11

Instructions:
To form box cut
around the solid
lines.
Fold on the dotted
lines.
Glue or tape the
tabs to the sides.

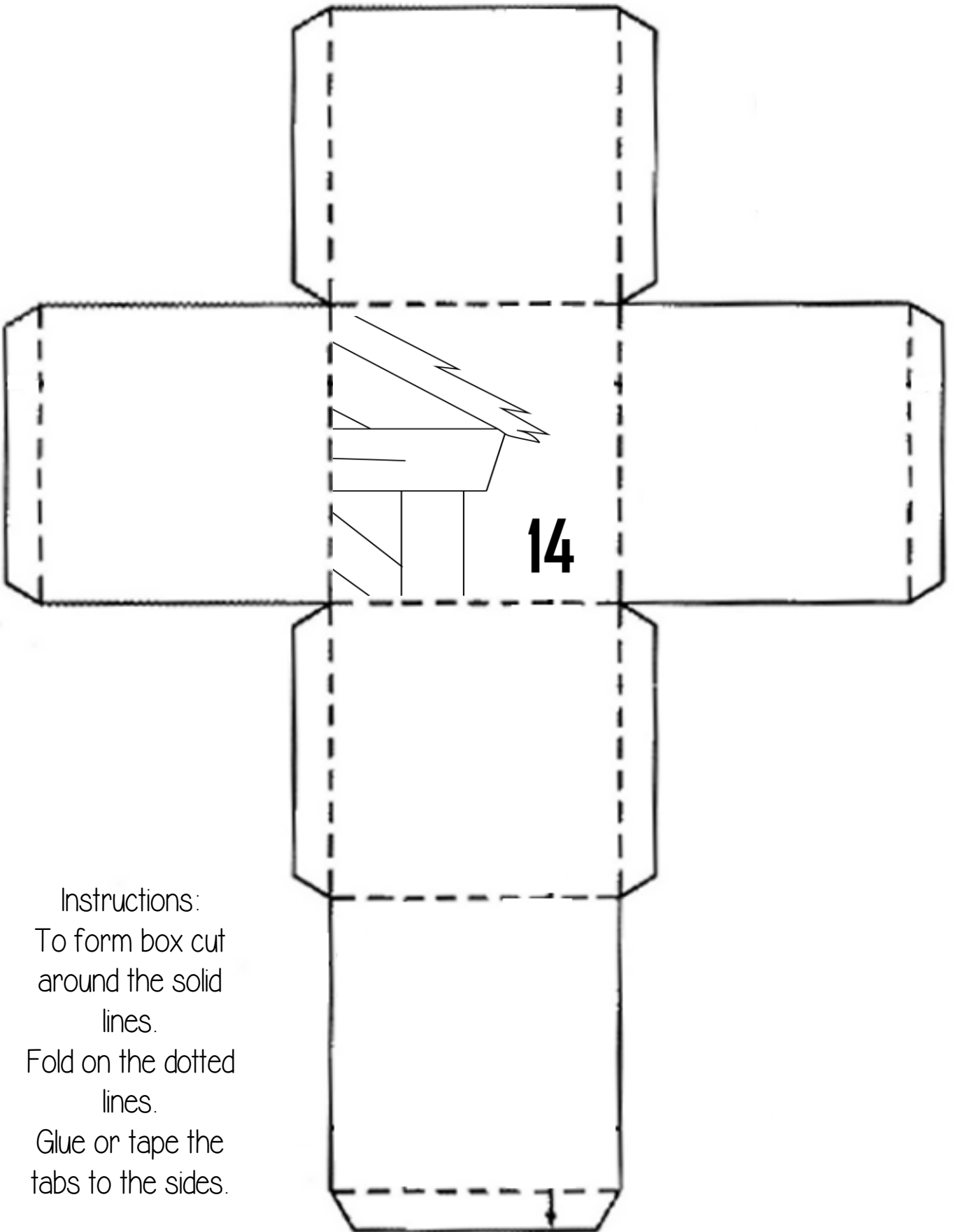


Instructions:
To form box cut
around the solid
lines.
Fold on the dotted
lines.
Glue or tape the
tabs to the sides.



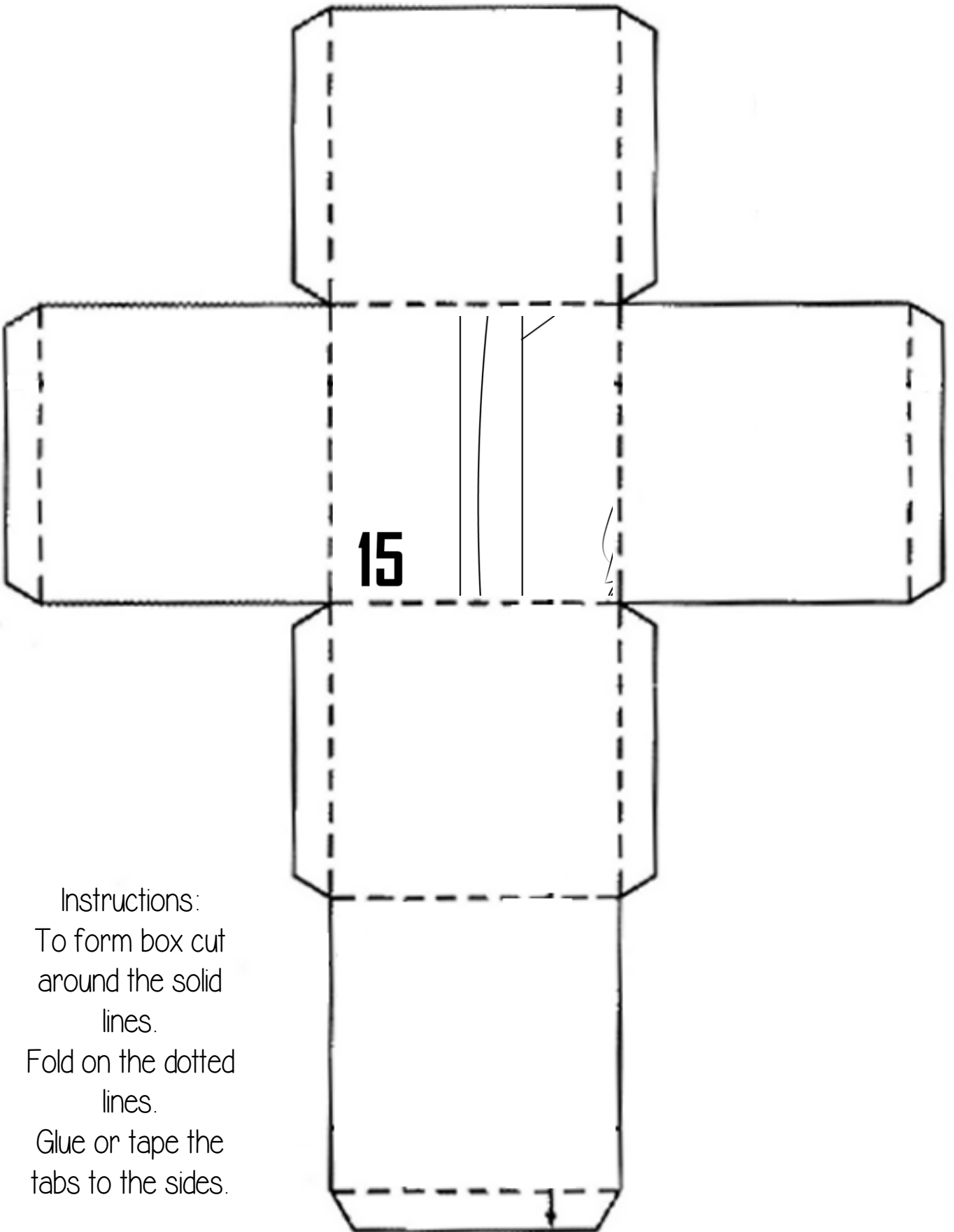
13

Instructions:
To form box cut
around the solid
lines.
Fold on the dotted
lines.
Glue or tape the
tabs to the sides.



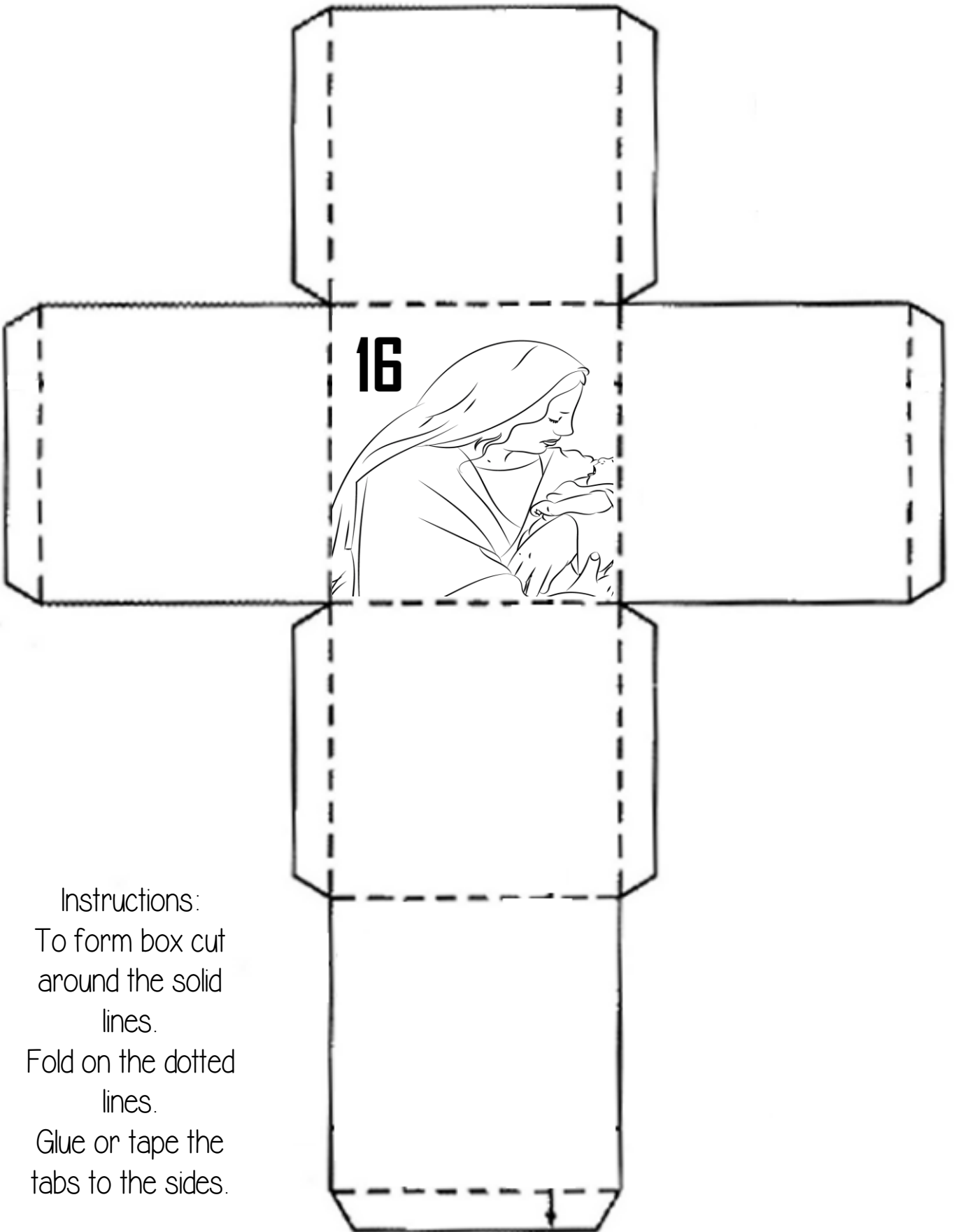
14

Instructions:
To form box cut
around the solid
lines.
Fold on the dotted
lines.
Glue or tape the
tabs to the sides.



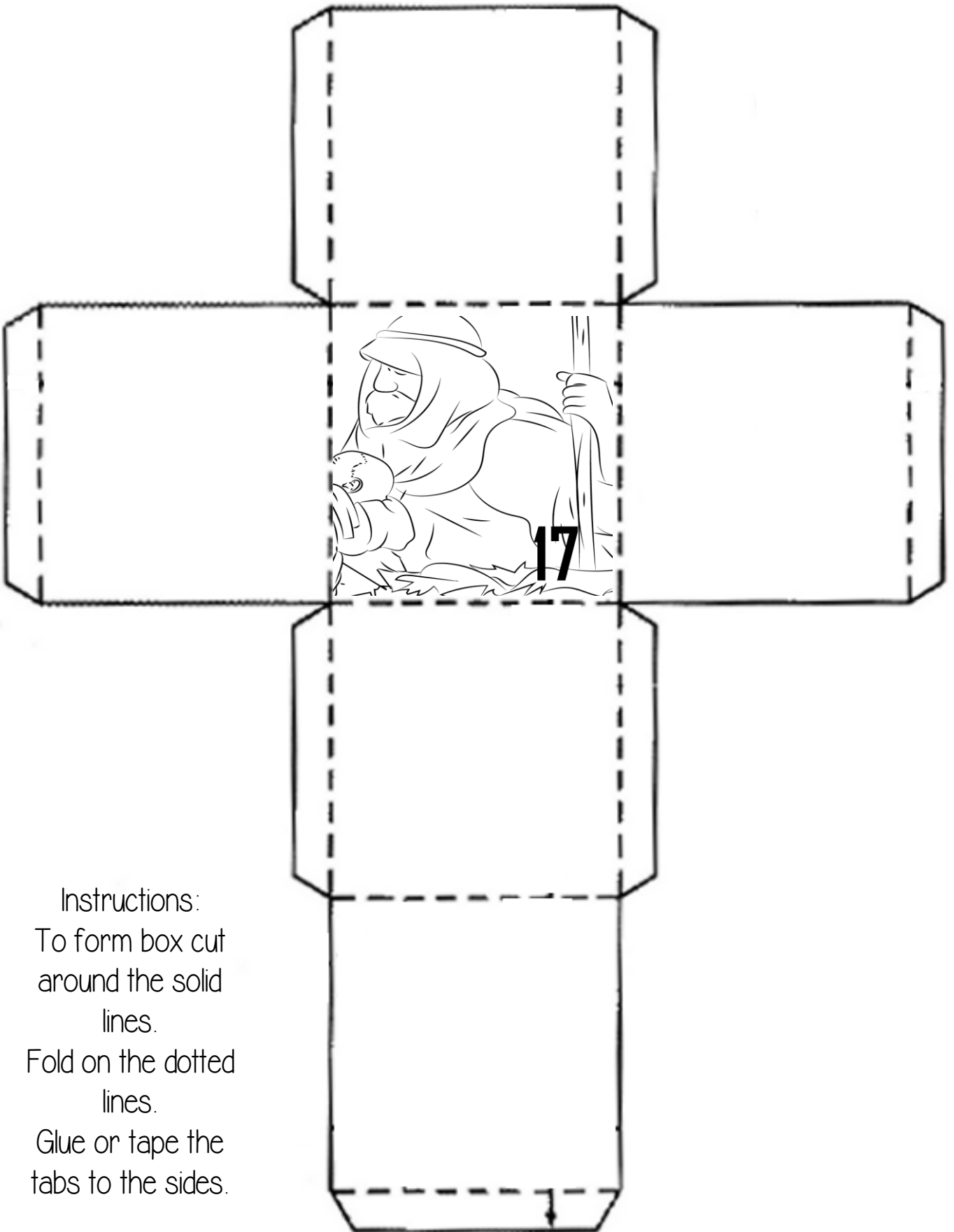
15

Instructions:
To form box cut
around the solid
lines.
Fold on the dotted
lines.
Glue or tape the
tabs to the sides.

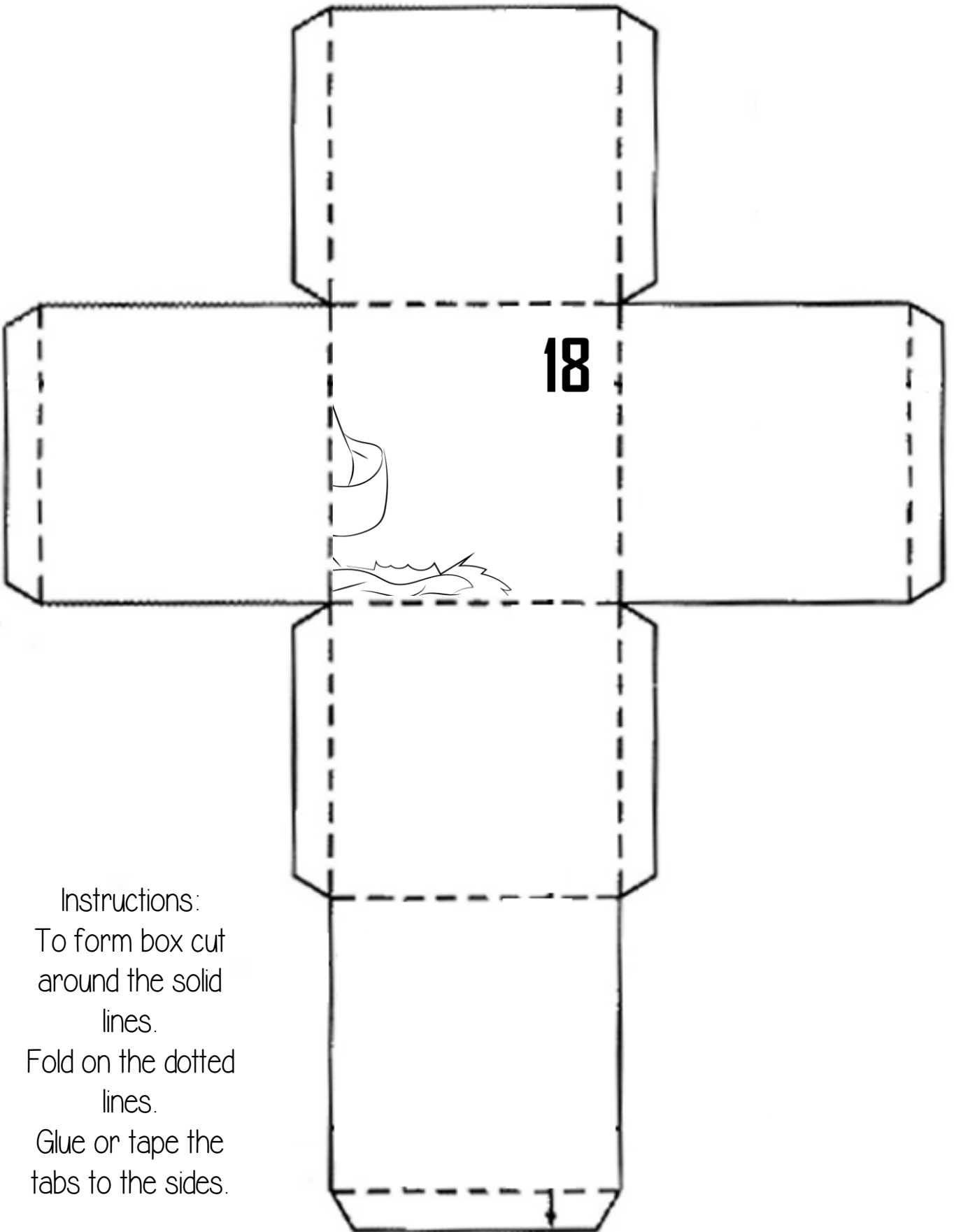


16

Instructions:
To form box cut
around the solid
lines.
Fold on the dotted
lines.
Glue or tape the
tabs to the sides.

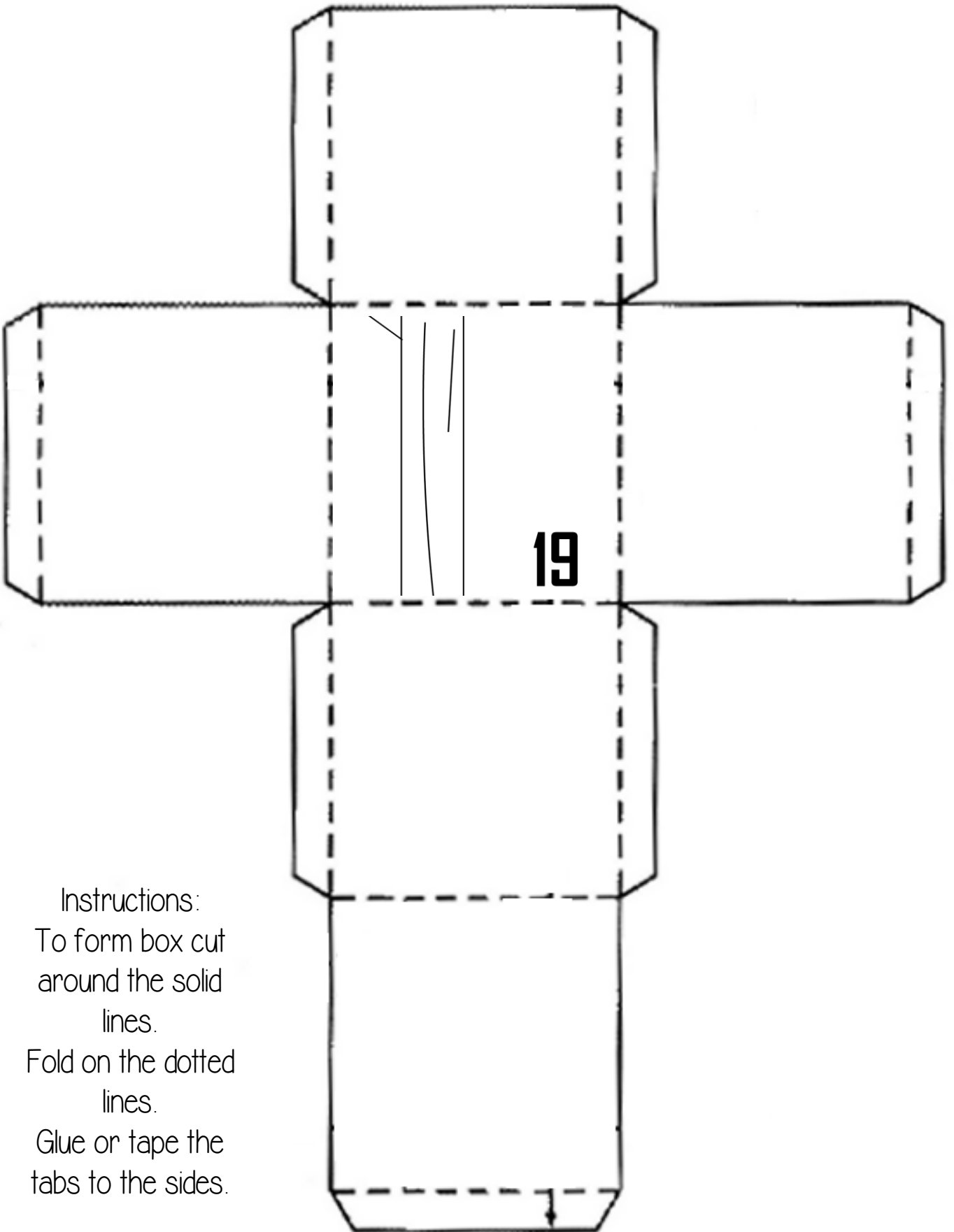


Instructions:
To form box cut
around the solid
lines.
Fold on the dotted
lines.
Glue or tape the
tabs to the sides.

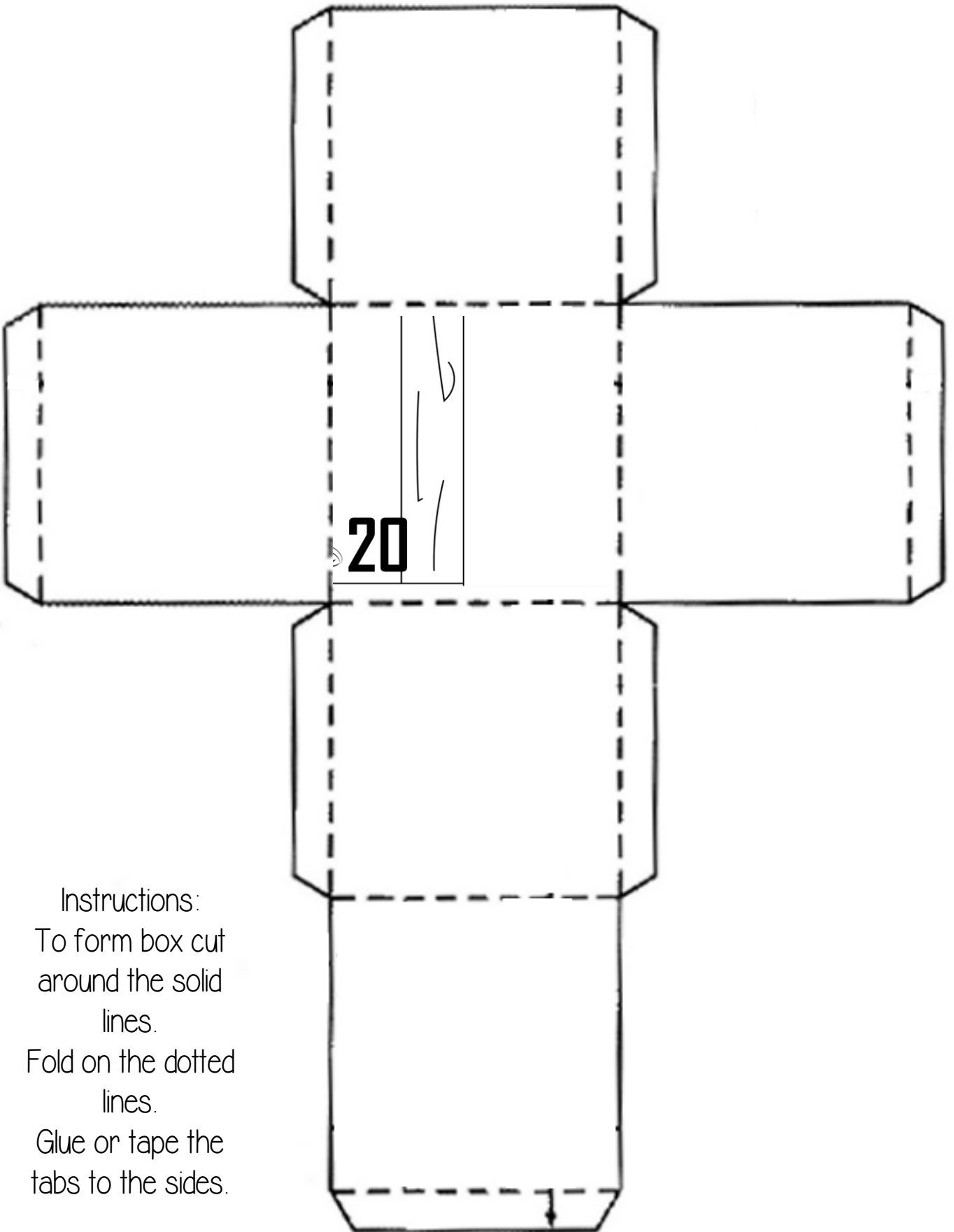


18

Instructions:
To form box cut
around the solid
lines.
Fold on the dotted
lines.
Glue or tape the
tabs to the sides.

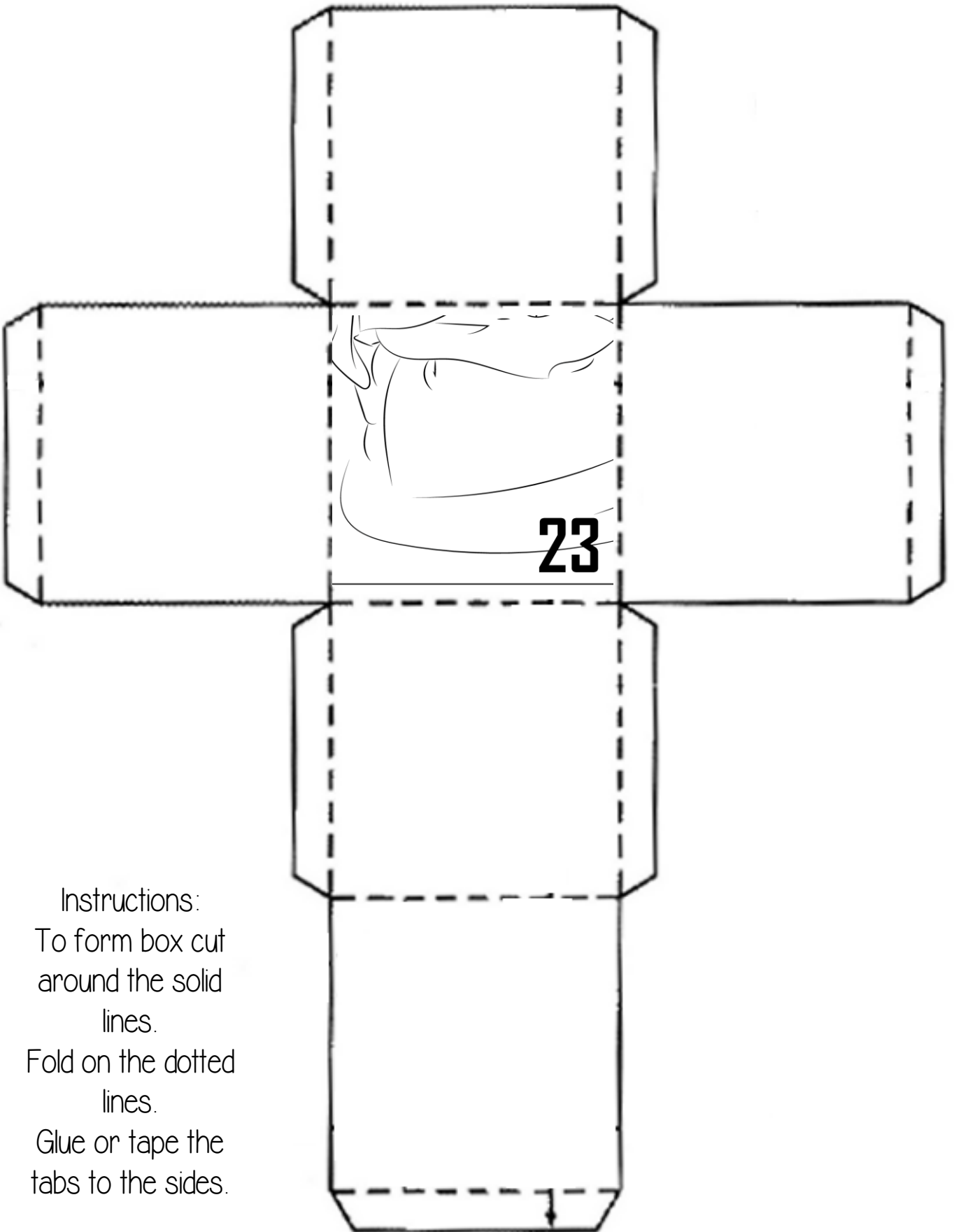


Instructions:
To form box cut
around the solid
lines.
Fold on the dotted
lines.
Glue or tape the
tabs to the sides.



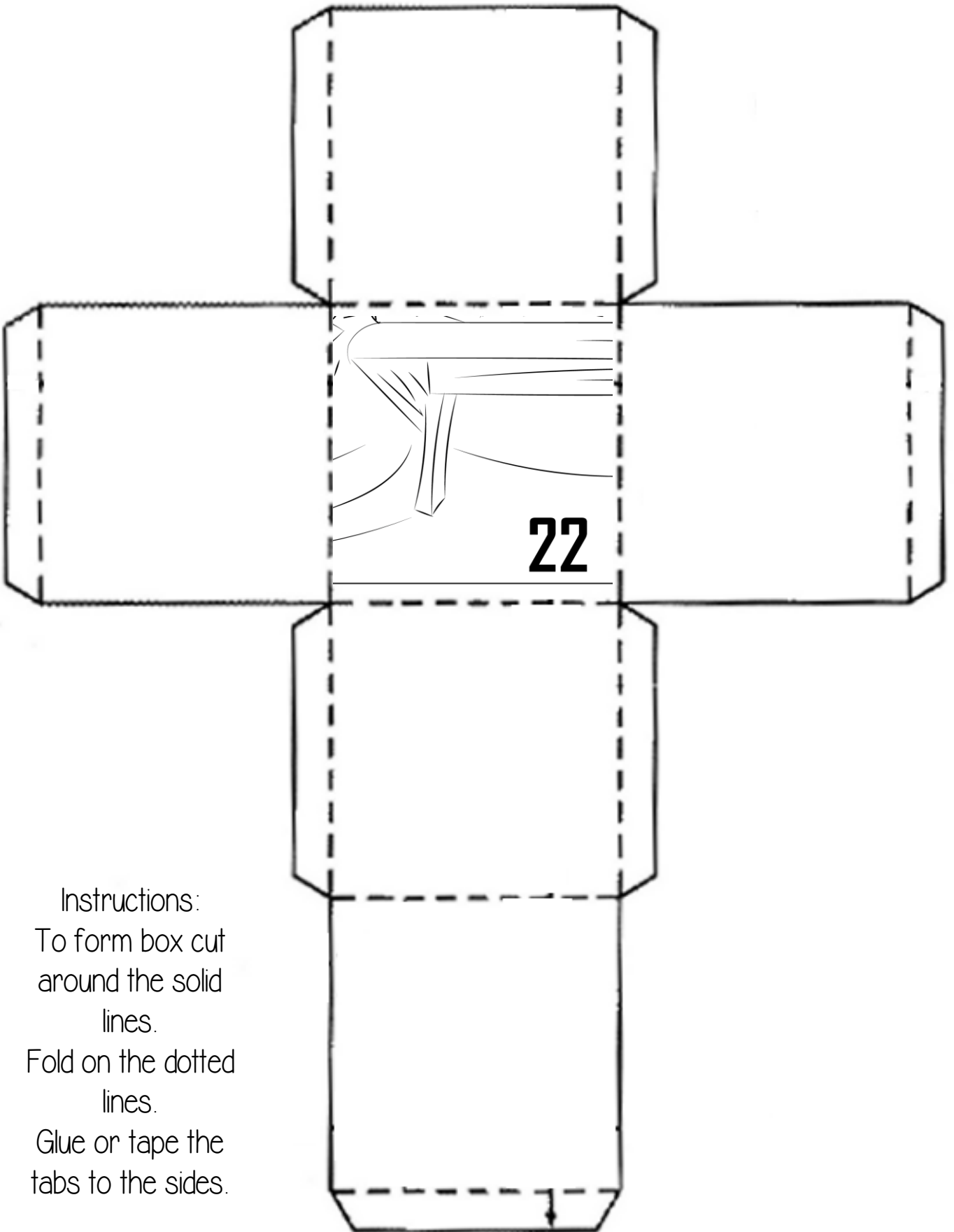
20

Instructions:
To form box cut
around the solid
lines.
Fold on the dotted
lines.
Glue or tape the
tabs to the sides.



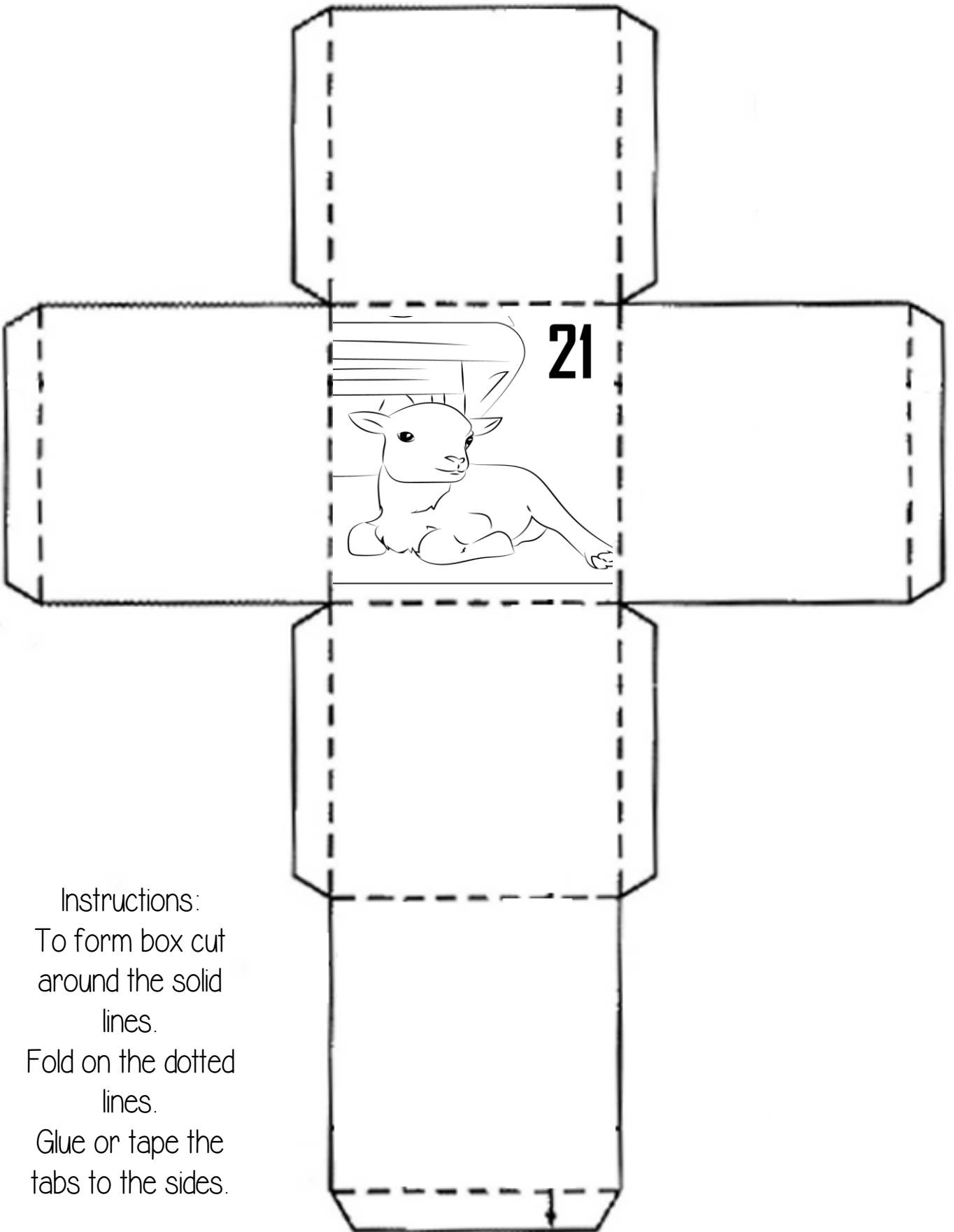
23

Instructions:
To form box cut
around the solid
lines.
Fold on the dotted
lines.
Glue or tape the
tabs to the sides.



22

Instructions:
To form box cut
around the solid
lines.
Fold on the dotted
lines.
Glue or tape the
tabs to the sides.



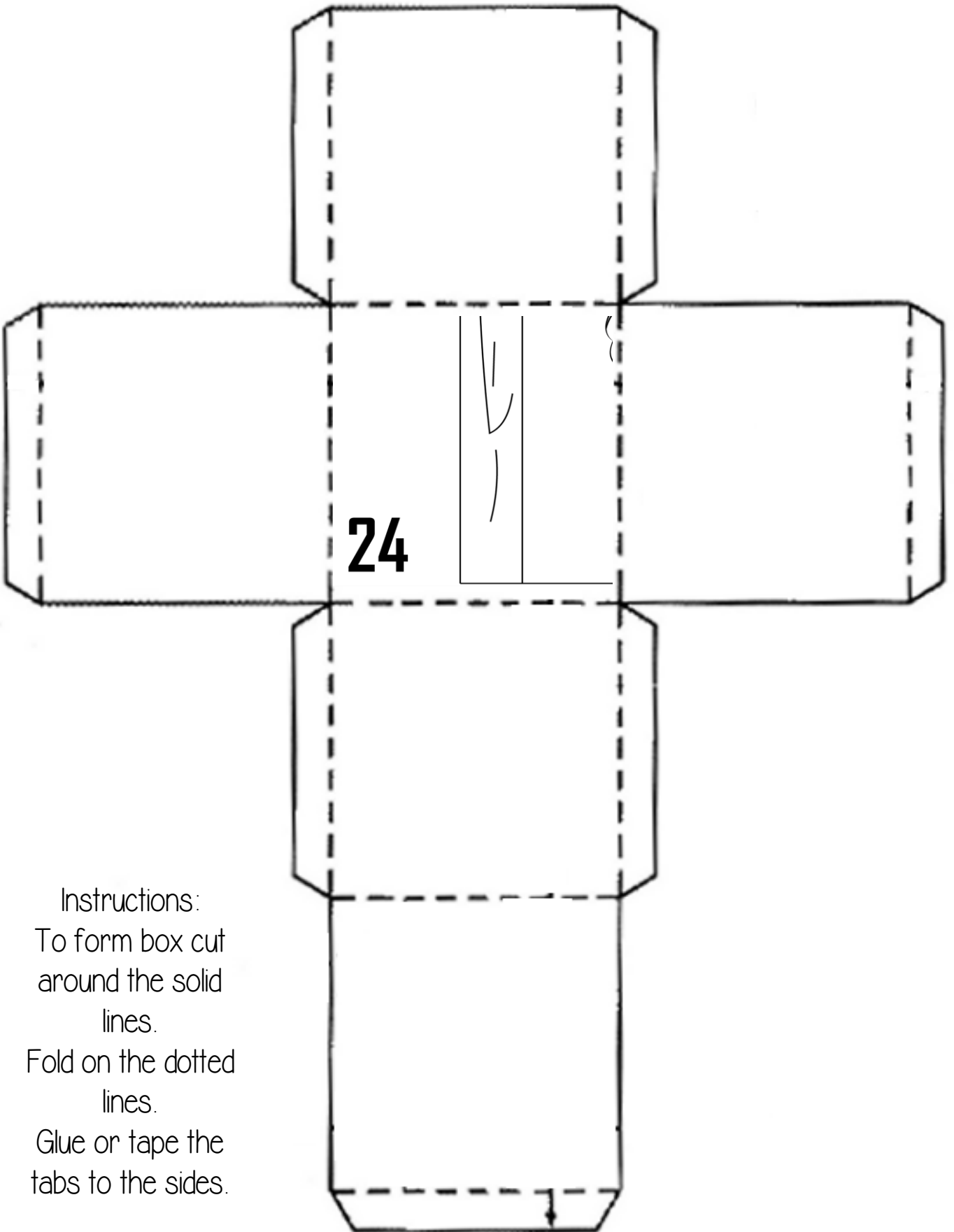
21

Instructions:

To form box cut
around the solid
lines.

Fold on the dotted
lines.

Glue or tape the
tabs to the sides.



24

Instructions:
To form box cut
around the solid
lines.
Fold on the dotted
lines.
Glue or tape the
tabs to the sides.